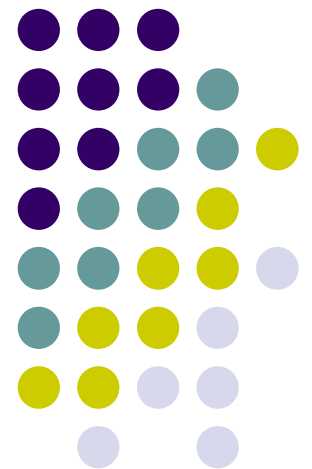
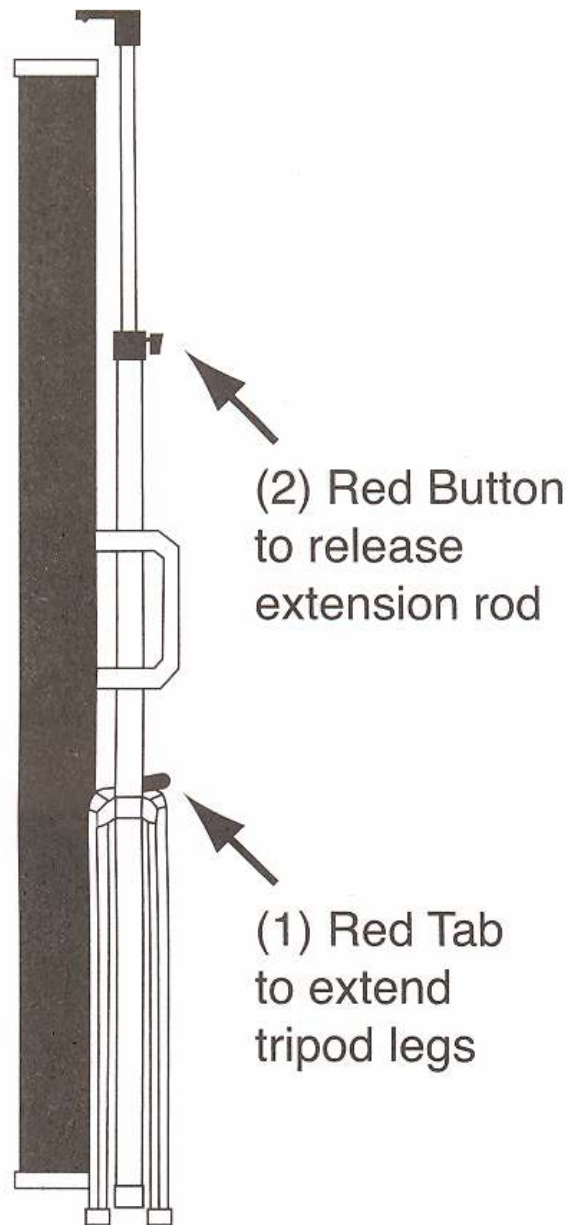


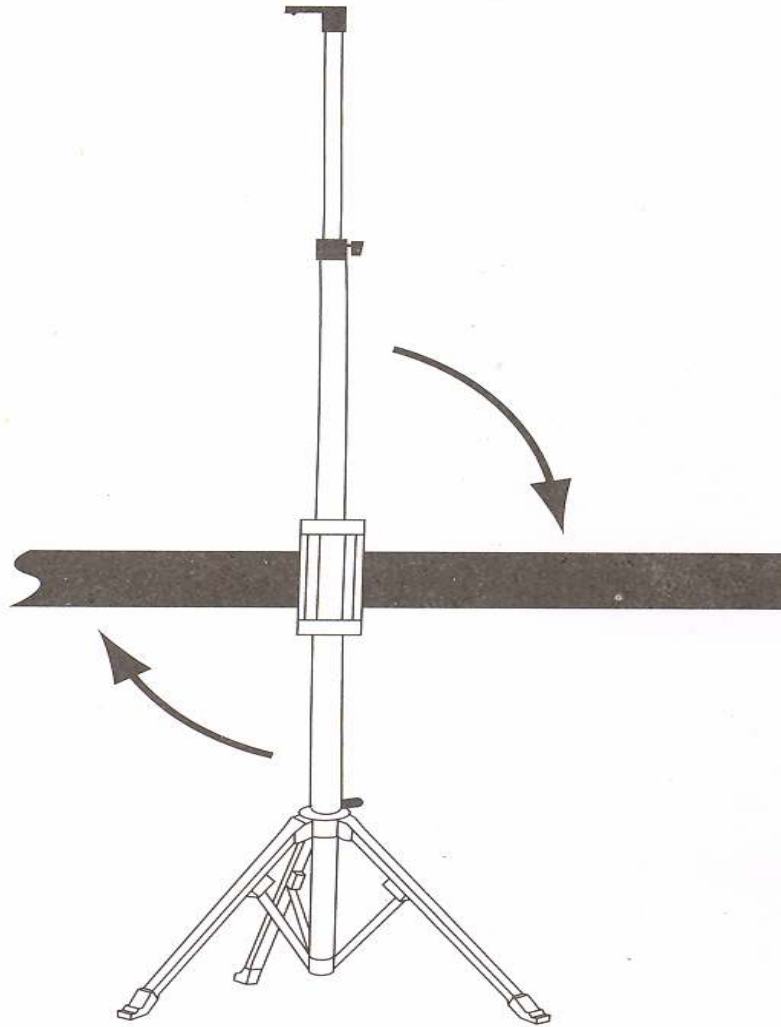
Tripod Projection Screen



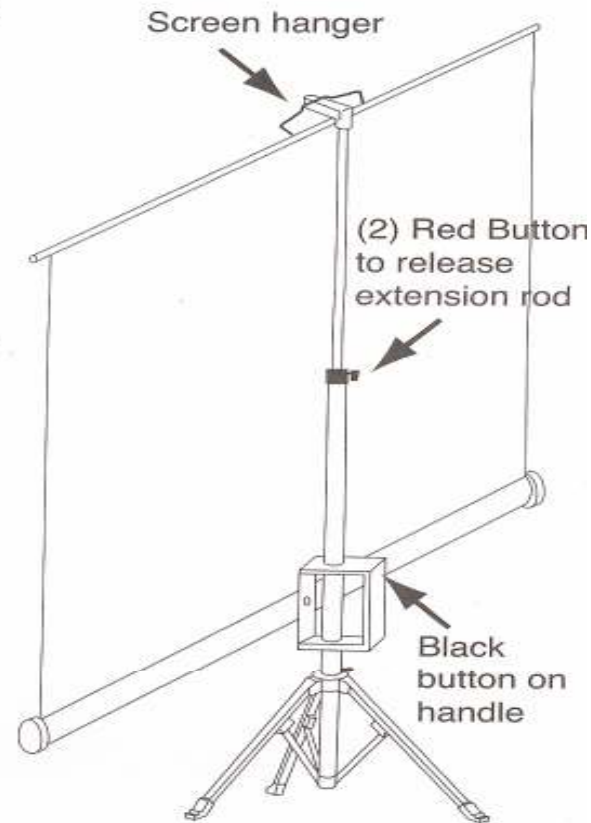
1. Remove Screen from packing material
2. Push down on red tab (1) to extend tripod legs. Make sure legs are fully extended.
3. Press red button (2) on extension rod to release gooseneck hanger hook and raise the extension rod to the first click stop.



4. Rotate screen housing to horizontal position to the floor.



5. Lift screen hanger and place on gooseneck hook as shown
6. Press red button (2) on extension rod to release and raise extension rod to desired height
7. Press black button on handle to raise screen housing to desired height
8. Repeat steps 6 & 7 to extend screen to fully open position.



Closing Screen:

Before sliding screen into the screen housing make sure that the screen surface is clean.

- A. Firmly grasp extension rod
- B. Press red button to release extension rod (2) and gently lower extension bar to the first click stop position.
- C. Unhook screen and allow material to roll into the screen housing
- D. Rotate Screen housing to vertical position as shown in Step 4
- E. Push red release tab to lower extension rod and allow gooseneck tip to fit securely into the hole in the end cap opening.
- F. Press red button on tripod legs and carefully close tripod legs